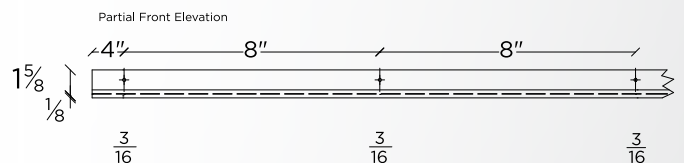
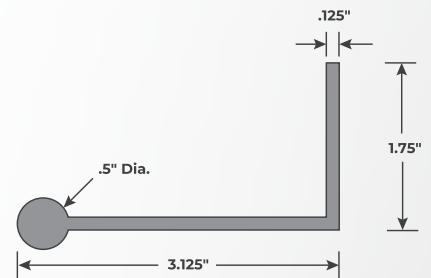
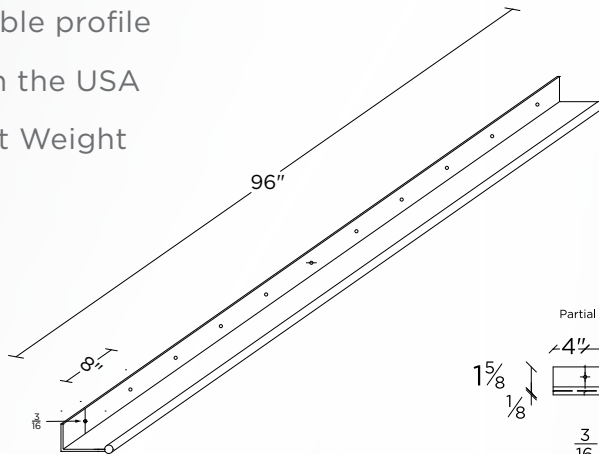
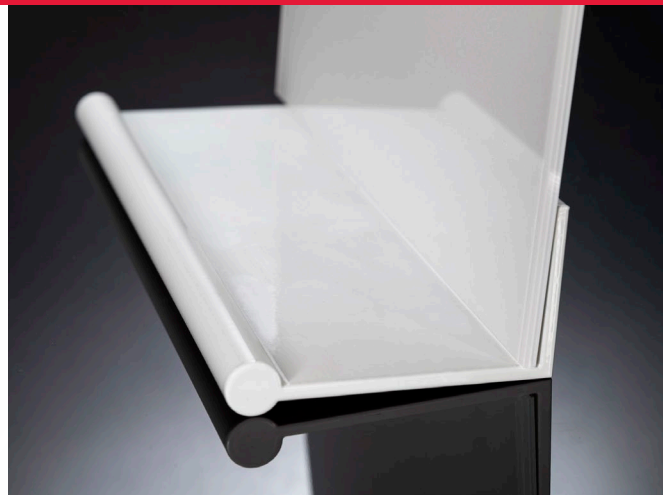


dekō[®]

premier markerboards™

premium marker rail

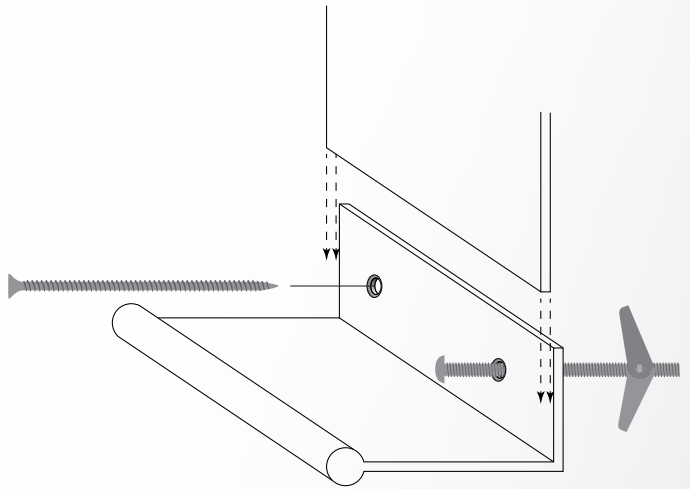
- Choose colors from anodized, white, black or custom
- Elegant, sleek design to complement the lines of our Premier markerboards
- Pre-drilled countersink holes for easy mounting
- Available in 8ft, 12ft, or custom lengths
- Use with bond.™ or fit.™ Settings
- Mechanical fasteners provided
- Reversible profile
- Made in the USA
- Product Weight



installation.

We recommend installing on a primed wall surface that is clean and dry.

1. Mark a level line on a wall at the desired bottom height of markerboard.
2. Place the top edge of the horizontal tray (as shown) on the line and mount to wall with supplied screws or toggle bolts as needed. - if drilling holes for stud alignment, take care to clean shaving with air or vacuum to prevent scratching the exposed finished surface.
3. When marker rail is installed, continue installing your markerboard following the directions in our (linked) Installation Guide provided with your order.



For a concealed mount, install the marker rail before the markerboard; and for an undermount, install the markerboard first. Suggested mounting height for deko® markerboards is 60" above floor to the center of the markerboard.

Contact us if you have questions before or during your installation.

844.366.1545 | dekomarkerboards.com



deko

lighter. brighter. flexible.

©2024 deko, LLC. All rights reserved.